

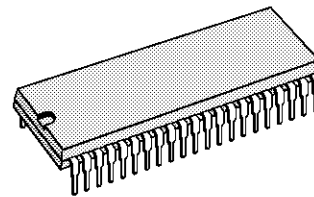
PAL-SECAM LUMA-CHROMA & DEFLECTION PROCESSOR

PRELIMINARY DATA

- RGB AND FAST BLANKING INPUTS
- AUTOMATIC CUT-OFF CONTROL
- DC-CONTROLLED BRIGHTNESS, CONTRAST AND SATURATION
- CERAMIC 500kHz VCO FOR LINE DEFLECTION
- CHROMA STANDARD AUTOMATIC IDENTIFICATION
- BIDIRECTIONAL I/O FOR CHROMA STANDARD
- PHASE-LOCKED REFERENCE OSCILLATOR USING A STANDARD 4.43MHz
- OSD CAPABILITY ON OUTPUTS
- VIDEO IDENTIFICATION GENERATOR

Used with the TDA8222, this IC permits a complete low cost solution with external output stages.

It is pin compatible with STV2102 PAL only processor.



SHRINK 42
(Plastic Package)

ORDER CODE : STV2110A

DESCRIPTION

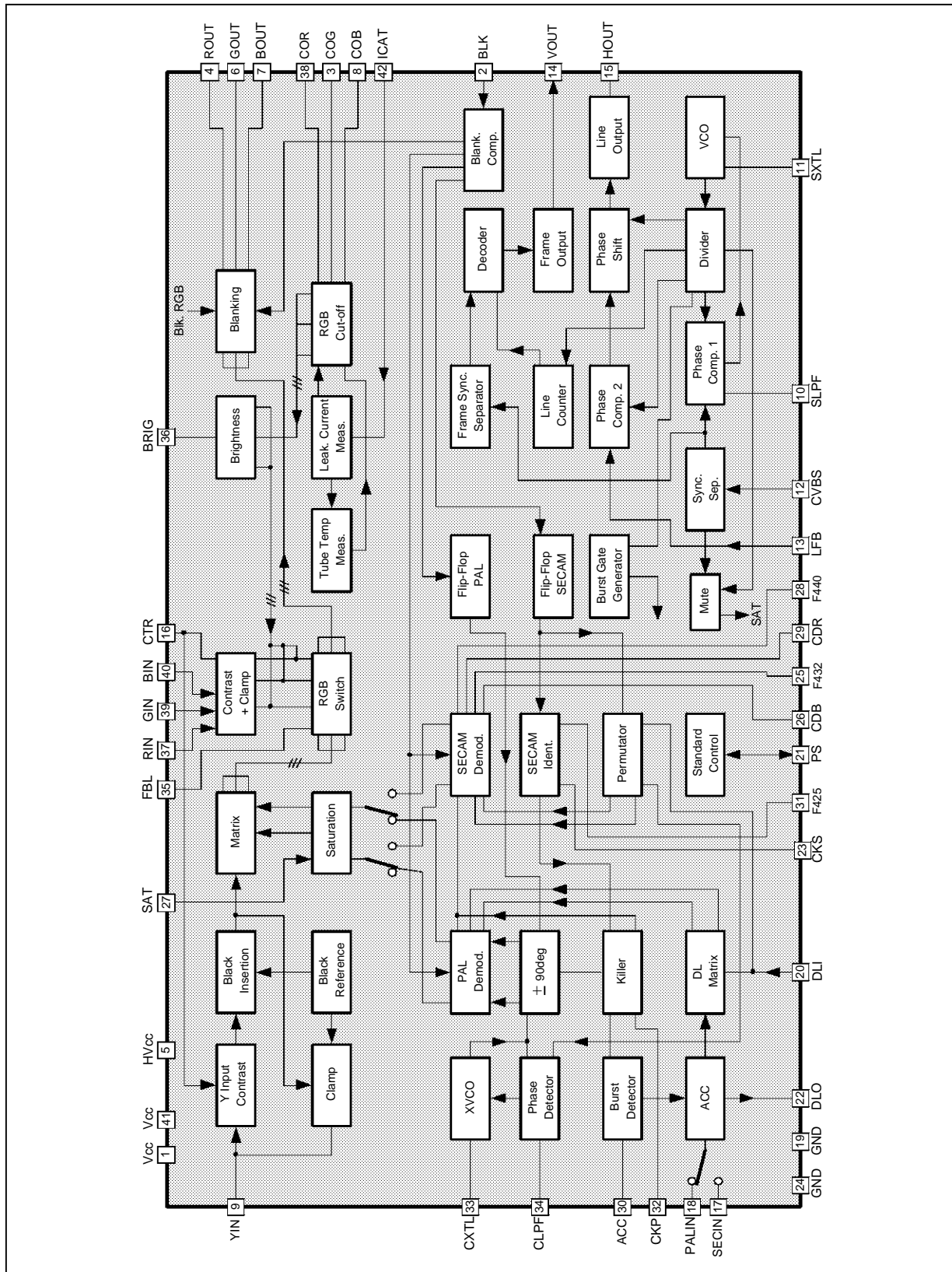
The STV2110A is a PAL-SECAM chroma decoder, video and H/V deflection processor for CTV.

PIN CONNECTIONS

SUPPLY VOLTAGE	Vcc	1	42	ICAT	CATHODE CURRENT
BLANKING INPUT	BLK	2	41	Vcc	SUPPLY VOLTAGE INPUT
GREEN CUT-OFF CAPACITOR	COG	3	40	BIN	BLUE INPUT
RED OUTPUT	ROUT	4	39	GIN	GREEN INPUT
HORIZONTAL Vcc	HVcc	5	38	COR	RED CUT-OFF CAPACITOR
GREEN OUTPUT	GOUT	6	37	RIN	RED INPUT
BLUE OUTPUT	BOUT	7	36	BRIG	BRIGHTNESS CONTROL
BLUE CUT-OFF CAPACITOR	COB	8	35	FBL	FAST BLANKING INPUT
LUMINANCE SIGNAL INPUT	YIN	9	34	CLPF	CHROMA LOOP FILTER
SCANNING LOOP FILTER	SLPF	10	33	CXTL	CHROMA XTAL
SCANNING XTAL	SXTL	11	32	CKP	PAL KILLER CAPACITOR
COMPOSITE VIDEO SIGNAL	CVBS	12	31	F425	4.25MHz FILTER
LINE FLYBACK INPUT	LFB	13	30	ACC	ACC CONTROL CAPACITOR
VERTICAL OUTPUT	VOUT	14	29	CDR	RED DEEMPHASIS CAPACITOR
HORIZONTAL OUTPUT	HOUT	15	28	F440	4.40MHz FILTER
CONTRAST CONTROL	CTR	16	27	SAT	SATURATION CONTROL
SECAM CHROMA INPUT	SECIN	17	26	CDB	BLUE DEEMPHASIS CAPACITOR
PAL CHROMA INPUT	PALIN	18	25	F432	4.32MHz FILTER
GROUND	GND	19	24	GND	GROUND
DELAY CHROMA INPUT	DLI	20	23	CKS	SECAM KILLER CAPACITOR
CHROMA STANDARD I/O	PS	21	22	DLO	CHROMA OUTPUT

2110A-01.EPS

BLOCK DIAGRAM



2110A-02.EPS

FUNCTIONAL DESCRIPTION

DEFLECTION

Synchronization Separator

The synchronization separator is based on the bottom of synchronization pulses alignment to an internal reference voltage. An external capacitor permits to align synchro. pulses, two external resistors determines the detection threshold of synchro pulses. The frame synchronization pulses are locked to a 32 μ s reference signal to perfect interlacing.

Horizontal Scanning

The horizontal scanning frequency is obtained from a 500kHz VCO. The circuit uses two phase-locked loops (PLL). The first one controls the frequency; the second one, fully integrated, controls the relative phase of the synchronization and the line fly-back signals.

The first PLL has two time constants : a long time constant during the picture to have a good noise immunity, a short time constant at the beginning of the frame to recapture faster the phase in case of VCR video signal. More over, the PLL is in short time constant three lines before frame pulses occurred, it permits to ensure good interlacing when the video signal comes from a VCR tape with high phase error.

The horizontal output signal is 28 μ s width. On starting up, horizontal pulses are enabled at $V_{CC} = 6.8V$. On shutting down, horizontal pulses are inhibited for $V_{CC} = 6.2V$.

Vertical Scanning

The windows for the frame sync detection are generated by a count down system. The selection of the windows is determined by the IC status :

- video identification off - window : 248/314
- video identification on - window : 248/352

When a sync pulse is detected inside the window a 10.5 lines long pulse is provided to V_{OUT} pin.

The count down system provides also the needed signals for the time constant switch, the line PLL inhibition and service signals to the rest of the IC.

CHROMA

ACC Amplifier, DL Matrix, Permutator and Demodulator

The correct chroma subcarrier input, issued from bandpass or bell filter, is internally selected with the standard. The ACC amplifier involves three stages : the first one select the correct input, the second one the -6dB in picture (PAL mode), the

third one is controlled by the ACC voltage.

The dynamic range is over than 30dB.

The chrominance output signal is fed to the delay line.

- PAL mode :
 - the adding and subtracting direct and delayed signals are performed by the DL matrix function.
 - Two synchronous demodulators multiplies the (B-Y) signal with the 0 degree phase 4.43MHz reference signal and the (R-Y) signal with the alternate ± 90 deg. 4.43MHz phase reference signal.
- SECAM mode :
 - the permutator separates the two (B-Y) and (R-Y) subcarriers. These signals are demodulated by two FM demodulators with two external L, C centered on $f_{O(\text{blue})} = 4.25\text{MHz}$ and $f_{O(\text{red})} = 4.406\text{MHz}$.

4.43MHz Phase Locked Loop

The oscillating frequency of the 4.43MHz crystal oscillator is controlled by the output voltage of the loop filter. The phase detector will lock the 90 degree reference signal to the direct burst signal. A 90 degree phase shifter permits to recover the 0 degree reference signal. A flip-flop driven by line pulses permits to generate the alternate ± 90 degree signal.

ACC Control and Color Killer

PAL mode :

the direct burst signal is demodulated with the ± 90 degree reference signal. The demodulation result is used by ACC control and killer function.

SECAM mode :

ACC control is done by a X^2 demodulator. For identification the burst signals of the red and blue lines are demodulated by the external LC connected on Pin 31, it is centered at 4.32MHz. This give positive and negative signals which are inverted by the signal coming out of the SECAM flip-flop.

In both standard, if the demodulation result is always positive, the killer capacitor is charged and the standard is identified (color ON). When demodulation result is always negative, the killer capacitor voltage reaches the flip-flop inhibition level, so the alternance sequence is reversed and the capacitor is charged again.

In case of no video signal, both killer capacitors voltage are maintained about $V_{CC}/2$, below the color off threshold.

In PAL or SECAM, the ACC control voltage is obtained by the peak detection of the demodulated burst.

Automatic Standard Identification

The circuit is alternately forced in each mode during two fields (PAL mode, SECAM mode disabled or SECAM mode, PAL mode disabled).

If PAL signal is identified, the alternate PAL/SECAM sequency is locked in PAL mode.

To have a SECAM identification, the circuit must memorizes a first SECAM identification, than test the PAL mode and confirm a second SECAM identification. The SECAM identification will take from four to six fields.

Output Pin 21, named PS, is high level in PAL mode and low level in SECAM mode.

Forced standard : Pin 21 can be used for the purpose :

- Pin 21 to HVCC : PAL mode
- Pin 21 to ground : SECAM mode

VIDEO

Input Stage

The luminance input is controlled by the contrast control stage which range is 20dB.

The luminance and color difference signals are added in the video matrix circuit to obtain the color signals.

The color signals are sent to an RGB switch which will drive to the outputs either internal RGB signals or external RGB signals.

Automatic Cut-off Control

The black levels of the RGB outputs are controlled with the cut-off loops during three line periods after the frame retrace. The cut-off measurements are sequentially achieved during these three lines. The leakage current measurement is achieved during the frame retrace and memorized on an internal capacitor, thus the circuit is able to extract the cut-off current from the total current measurement.

Warm-up Detector

At the start-up, the cut-off loops are switch off, a white level is inserted on the luminance signal until a cathode current is detected. Then the cut-off loops are released.

RGB Inputs

To avoid the black level of the inserted signal differing from the black level of the normal video signal, the external RGB are clamped to the black level of the luminance signal. Therefore, an AC coupling is required for the RGB inputs.

The RGB inputs are controlled by a 12dB range contrast control stage.

ABSOLUTE MAXIMUM RATINGS

Symbol	Parameter	Value	Unit
HV _{CC}	Horizontal Supply Voltage (Pin 5)	12	V
V _{CC}	Video & Chroma Supply Voltage (Pins 1-41)	HV _{CC} + 0.5	V
H _{OUT}	Horizontal Output (Pin 15)	12	V
T _{stg}	Storage Temperature	-55, +150	°C
T _{oper}	Operating Temperature	0, +70	°C

2110A-01.TBL

THERMAL DATA

Symbol	Parameter	Value	Unit
R _{th(j-a)}	Junction-ambient Thermal Resistance	Max. 60	°C/W

2110A-02.TBL

DC AND AC ELECTRICAL CHARACTERISTICS

(HV_{CC} = V_{CC} = 9V, T_{amb} = 25°C unless otherwise specified)

Symbol	Parameter	Test Conditions	Min.	Typ.	Max.	Unit
HV _{CC}	Scanning Supply Voltage (Pin 5)		8.1	9	9.9	V
V _{CC}	Video & Chroma Supply Voltage (Pins 1-41)		8.1	9	9.9	V
I _{cch}	Scanning Supply Current (pin 5)	No load		25	35	mA
I _{ccv&c}	Video & Chroma Supply Current (Pins 1-41)	No load		45	55	mA
P _D	Total Power Dissipation	No load		630	890	mW

2110A-03.TBL

DC AND AC ELECTRICAL CHARACTERISTICS (continued)(H_{VCC} = V_{CC} = 9V, T_{amb} = 25°C unless otherwise specified)

Symbol	Parameter	Test Conditions	Min.	Typ.	Max.	Unit
LUMINANCE INPUT (Pin 9)						
V _{BW9}	Input Voltage			350	490	mV _{PP}
V _{DC9}	DC Level	No input signal		2.6		V
I _g	Input Current	• During burst period • Out of burst period		±150	1	μA μA
G ₉	Luma Gain			7.4		
BW467	Bandwidth (Y to R, G, B outputs)	-3dB		6		MHz
CONTRAST CONTROL (Pin 16)						
V ₁₆	Contrast Control Voltage			2 to 4		V
V _{16 (Max.)}	Allowed Control Voltage				5	V
G ₁₆	Contrast Control Range			20		dB
I ₁₆	Input Current				10	μA
BRIGHTNESS CONTROL (Pin 36)						
V ₃₆	Brightness Control Voltage			1.8 to 4.3		V
V _{36 (Max.)}	Allowed Control Voltage				5	V
I ₃₆	Input Current				10	μA
SATURATION CONTROL INPUT (Pin 27)						
V ₂₇	Saturation Control Voltage			2 to 4		V
V _{27 (Max.)}	Allowed Control Voltage				5	V
G ₂₇	Saturation Control Range			-50		dB
V _{27M}	Mute Level				0.5	V
I ₂₇	Input Current				10	μA
RGB OUTPUTS (Pins 4-6-7)						
V _{BW 4-6-7}	Output Signal Amplitude (black to white)	• 0.35V B to W @ Pin 9 • Contrast @ 4V • Sat. & Brig. @ 3V		2.6		V
I ₄₋₆₋₇	Individual Output Sinking Current			2		mA
VM4-6-7	Maximum Peak White Level			7.8		V
V _{blank 4-6-7}	Blanking Level			0.5		V
V _{CO min.}	Minimum Level of Inserted Cut-off Lines			2.5		V
V _{CO max.}	Maximum Level of Inserted Cut-off Lines			4.5		V
	Relative Variation in Black Level with Various CONT. SAT. BRIG between the 3 channels				20	mV
ΔV _{temp}	Black Level Thermal Drift			0.5		mV/°C
	Tracking between Luminance and Chrominance Signals over 10dB Contrast Control				2	dB
RGB INPUTS (Pins 37-39-40)						
V _{BW37-39-40}	Input Amplitude (B to W)			0.7	2	V
V _{clamp 37-39-40}	Clamp Level	Contrast max		1.8		V
I ₃₇₋₃₉₋₄₀	Control Current			±150		μA
I _{l37-39-40}	Leakage Current				1	μA
BW ₃₇₋₃₉₋₄₀	Bandwidth	-3dB		8		MHz
G _{CTR}	RGB Contrast Control Range			14		dB
G ₃₇₋₃₉₋₄₀	RGB Gain			3.7		

2110A-04.TBL

STV2110A

DC AND AC ELECTRICAL CHARACTERISTICS (continued)

($HV_{CC} = V_{CC} = 9V$, $T_{amb} = 25^{\circ}C$ unless otherwise specified)

Symbol	Parameter	Test Conditions	Min.	Typ.	Max.	Unit
FAST BLANKING INPUT (Pin 35)						
V_{TH1-35}	First Threshold (switching)			0.7		V
V_{TH2-35}	Second Threshold (blanking)			2.1		V
T_{switch}	Switching Delay			50		ns
T_{blank}	Blanking Delay			100		ns

CATHODE CURRENT INPUT (Pin 42)

V_{REF42}	Leakage Current Reference Voltage			1.75		V
ΔV_{REF42}	CO Reference refered to Leakage Current Reference			250		mV
I_{42}	Output Current		150			μA
V_{sb42}	Start-beam Current Detection Reference Voltage			2.4		V

AUTOMATIC CUT-OFF (Pin 3-8-38)

	Cut-off Capacitor Clamping Current			± 100		μA
--	------------------------------------	--	--	-----------	--	---------

PAL CHROMINANCE INPUT (Pin 18)

V_{18}	Input Level			0.3	1.0	V_{PP}
$V_{burst-18}$	Minimum Burst Signal Amplitude within the ACC Control Range			30		mV_{PP}
G_{ACC}	ACC Control Range	Change of burst over whole ACC Control Range < 1dB		30		dB
R_{18}	Input Impedance			8		$k\Omega$
V_{DC-18}	DC Level	No input signal		3.5		V

SECAM CHROMINANCE INPUT (Pin 17)

V_{17}	Input Level			0.3	1.0	V_{PP}
$V_{burst-17}$	Minimum Burst Signal Amplitude within the ACC Control Range			30		mV_{PP}
R_{17}	Input Impedance			20		$k\Omega$
V_{DC-17}	DC Level	No input signal		3.5		V

ACC CAPACITOR (Pin 30)

I_{30}	Charging Current	During burst gate period		250		μA
I_{30}	Leakage Current	Out of burst gate period			1	μA

PLL LOOP FILTER (Pin 34)

I_{34}	Control Current			400		μA
----------	-----------------	--	--	-----	--	---------

CHROMAXTAL (Pin 33)

CR_{33}	Catching Range			± 700		Hz
-----------	----------------	--	--	-----------	--	----

SUBCARRIER OUTPUT (Pin 22)

$V_{burst-22}$	Output Burst Amplitude (PAL mode)	Within ACC Control Range		2		V_{pp}
----------------	-----------------------------------	--------------------------	--	---	--	----------

PAL KILLER CAPACITOR (Pin 32)

V_{OFF-32}	Color off Threshold			5.0		V
V_{ON-32}	Color on Threshold			5.4		V
V_{INH-32}	PAL Flip-flop Inhibition Level			3.2		V
I_{32}	Control Current			250		μA
V_{nom-32}	Voltage with Nominal Input Signal			6.0		V

2110A-05.TBL

DC AND AC ELECTRICAL CHARACTERISTICS (continued)(HV_{CC} = V_{CC} = 9V, T_{amb} = 25°C unless otherwise specified)

Symbol	Parameter	Test Conditions	Min.	Typ.	Max.	Unit
SECAM KILLER CAPACITOR (Pin 23)						
V _{OFF-23}	Color off Threshold			5.6		V
V _{ON-23}	Color on Threshold			6		V
V _{INH-23}	SECAM Flip-flop Inhibition Level			3.2		V
I ₂₃	Control Current			250		μA
V _{nom-23}	Voltage with Nominal input Signal			7.3		V
DELAYED CHANNEL INPUT (Pin 20)						
V _{DC-20}	DC Level	No input Signal		2.2		V
R ₂₀	Input Impedance	PAL standard SECAM standard		8 20		kΩ kΩ
4.25MHz AND 4.40MHz FILTER (Pins 28-31)						
V _{DC-28-31}	DC Level	No input signal		2.3		V
R ₂₈₋₃₁	Input Impedance			20		kΩ
RED AND BLUE DEEMPHASIS CAPACITORS (Pins 26-29)						
V _{DC-26-29}	DC Level	No input signal		6.4		V
R ₂₆₋₂₉	Input Impedance			6		kΩ
4.32MHz FILTER (Pin 25)						
V _{DC-25}	DC Level	No input signal		3.5		V
R ₂₅	Input Impedance			40		kΩ
FORCING/STANDARD IDENTIFICATION (Pin 21)						
	Max.Current on PS Output	PAL SECAM	+ 5 - 5			mA mA
	DC Output Voltage	PAL SECAM		7.5 1.5		V V
	DC input Voltage	PAL SECAM		HV _{CC} 0.0		V V
COMPOSITE VIDEO BASE BAND SIGNAL (Pin 12)						
V _{REF-12}	Clamp Voltage	I ₁₂ = - 1μA	1.6	1.85	2.1	V
V ₁₂	Video Input Signal (sync to white)			1		V _{PP}
I ₁₂	Sync Threshold			12		μA
SCANNING XTAL (Pin 11)						
F ₁₁	Frequency after Divider			15.625		kHz
CR ₁₁	Frequency Control Range after Divider			±700		Hz
PLL LOOP FILTER (Pin 10)						
I _{low-10}	Output Current	Long time constant		0.15		mA
I _{high-10}	Output Current	Short time constant		0.40		mA
DELAYED LINE FLYBACK INPUT (Pin 13)						
V _{TH-13}	Threshold			0.6		V
V ₁₃	Allowed Voltage Range		- 0.4		HV _{CC}	V
I ₁₃	Input Current	V ₁₃ < 0.6V			5	μA

2110A-06.TBL

STV2110A

DC AND AC ELECTRICAL CHARACTERISTICS (continued)

($HV_{CC} = V_{CC} = 9V$, $T_{amb} = 25^{\circ}C$ unless otherwise specified)

Symbol	Parameter	Test Conditions	Min.	Typ.	Max.	Unit
--------	-----------	-----------------	------	------	------	------

DIRECT BLANKING INPUT (Pin 2)

V_{TH-2}	Threshold			0.6		V
V_2	Allowed Voltage Range		-0.4		HV_{CC}	V
I_2	Input Current	$V_2 < 0.6V$			5	μA

HORIZONTAL OUTPUT (Pin 15)

T_{15}	Output Pulse Width		26	28	29	μs
V_{low-15}	Output Voltage (open collector)	$I_{15} = 10mA$		1.5		V
$V_{5\ start}$	HV_{CC} Start Threshold			6.8		V
$V_{5\ stop}$	HV_{CC} Stop Threshold			6.2		V
Δt_{15}	$\phi 2$ Phase Range			12		μs

VERTICAL OUTPUT (Pin 14)

T_{14}	Output Pulse Width			10.5		line
T_{sync1}	Frame Synchro. Window (search)			248 to 352		line
V_{low-14}	Output Voltage (open collector)			1		V

2110A-07.TBL

Figure 1 : Contrast Control Curve

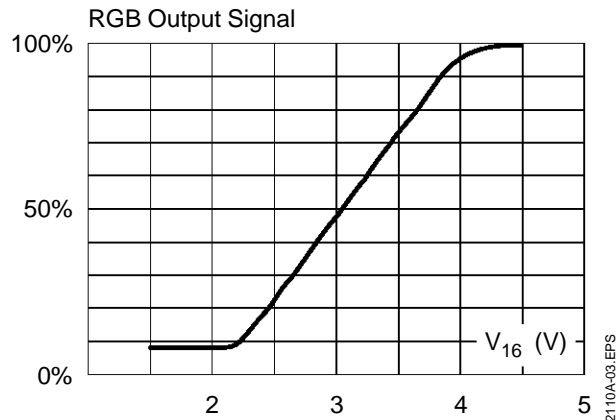


Figure 2 : Saturation Control Curve

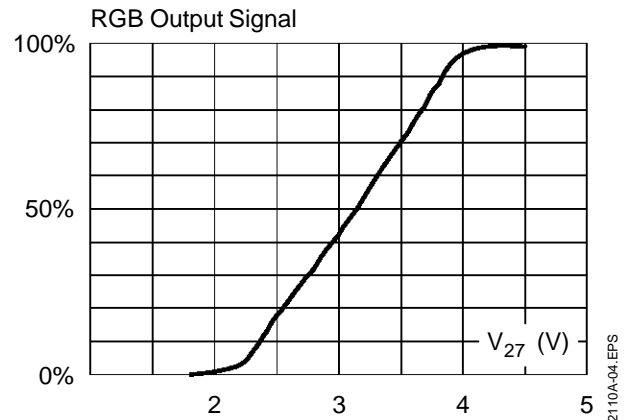


Figure 3 : Difference between Black Level and measuring Level at RGB Outputs as a function of the Brightness Control Input

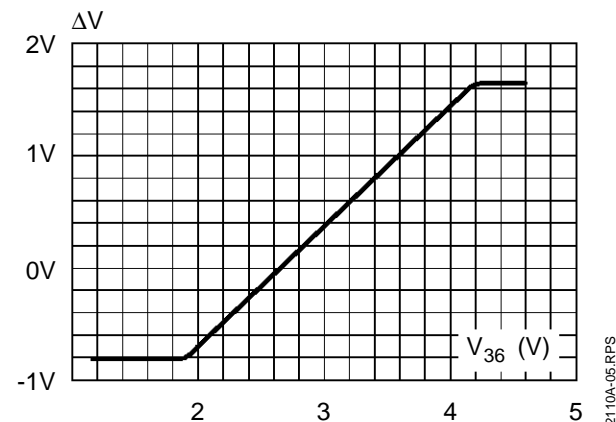
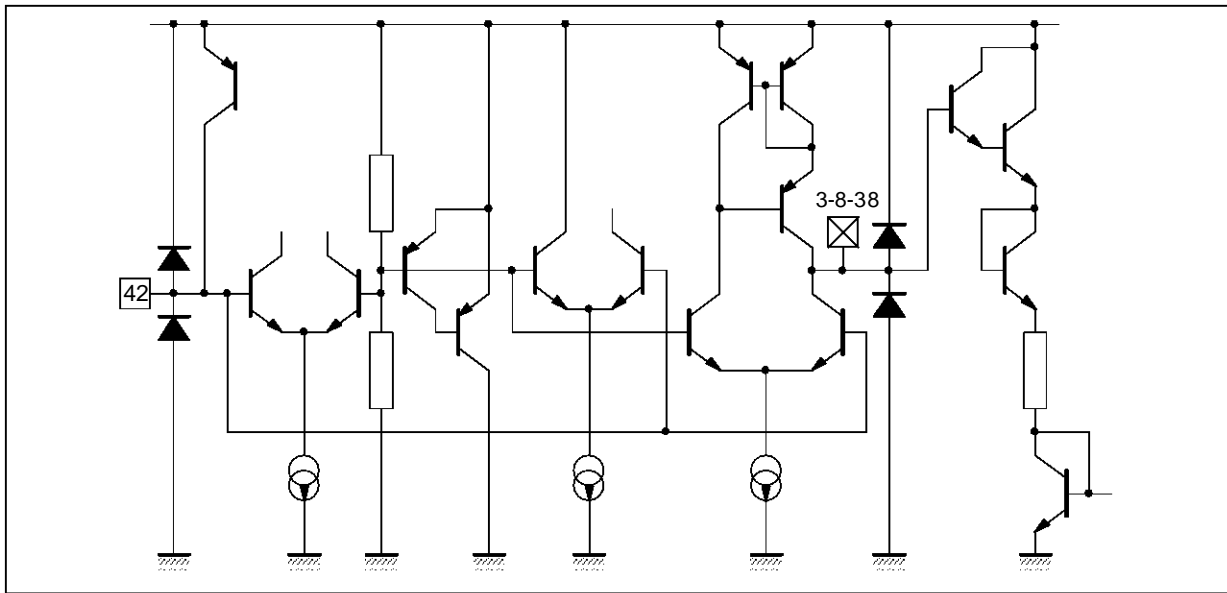
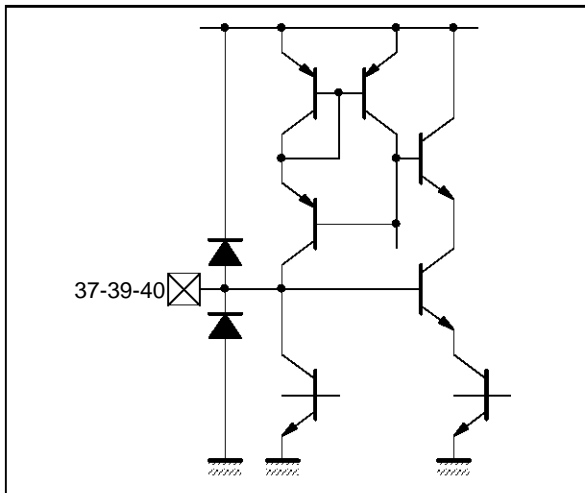


Figure 4 : Pins 3-8-38-42 (COG, COB, COR, ICAT)



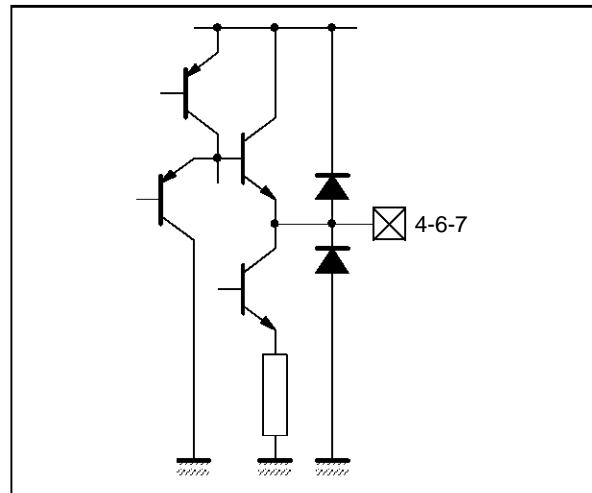
2110A-06.EPS

Figure 5 : Pins 37-39-40 (RIN, GIN, BIN)



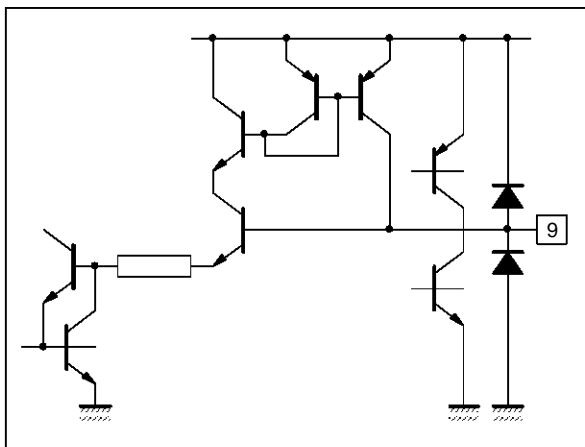
2110A-07.EPS

Figure 6 : Pins 4-6-7 (ROUT, GOUT, BOUT)



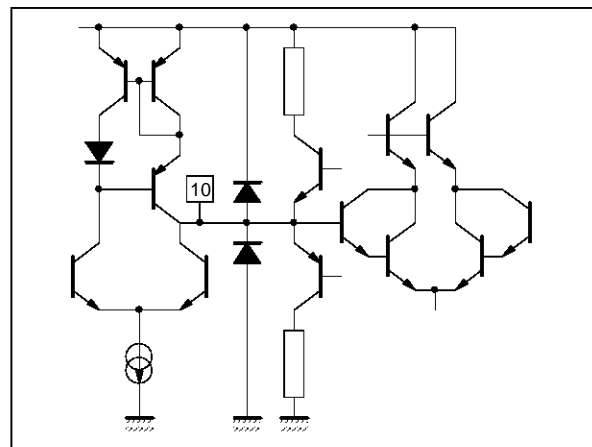
2110A-08.EPS

Figure 7 : Pin 9 (YIN)



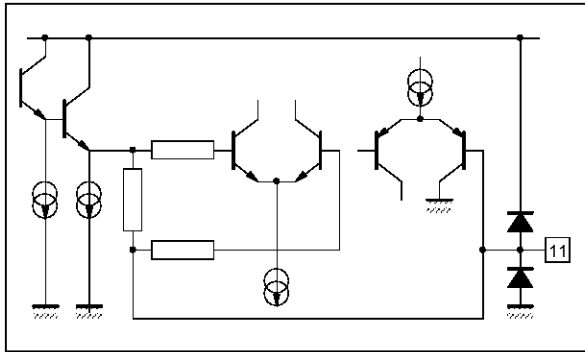
2110A-09.EPS

Figure 8 : Pin 10 (SLPF)



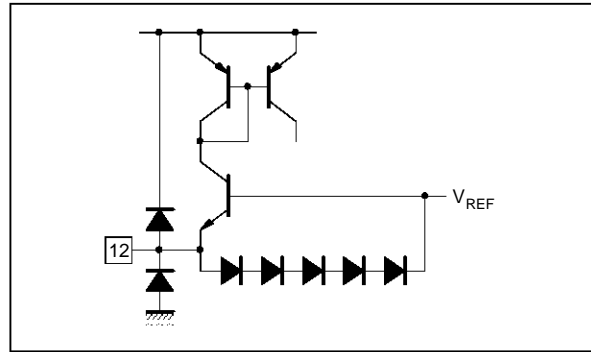
2110A-10.EPS

Figure 9 : Pin 11 (SXTL)



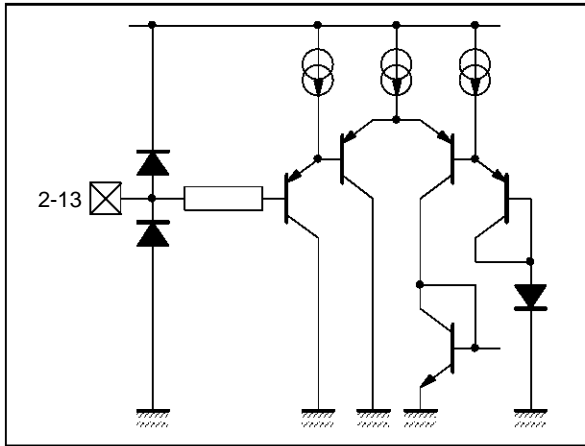
2110A-11.EPS

Figure 10 : Pin 12 (CVBS)



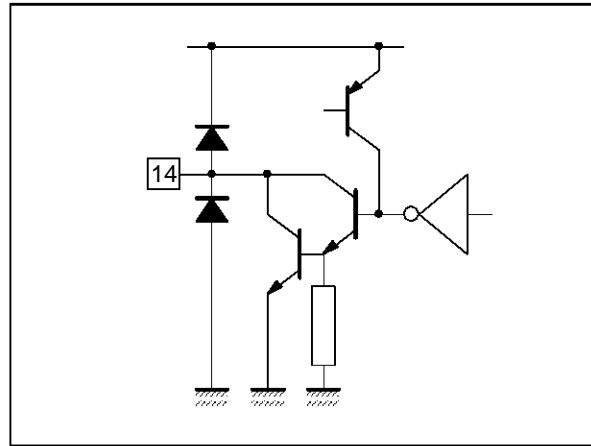
2110A-12.EPS

Figure 11 : Pins 2-13 (BLK, LFB)



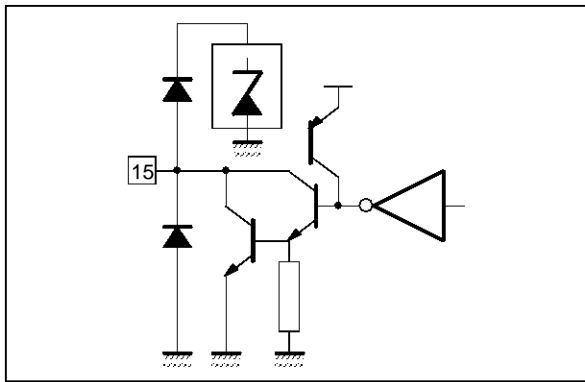
2110A-13.EPS

Figure 12 : Pins 14 (VOUT)



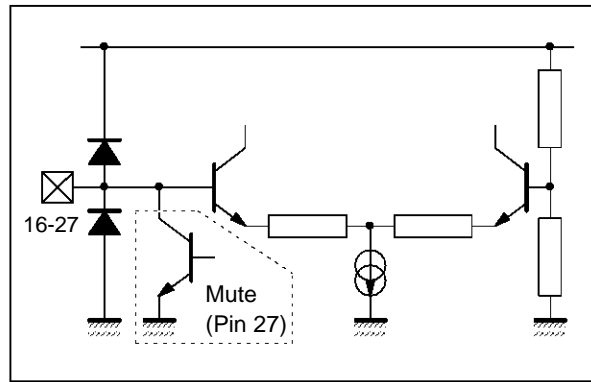
2110A-14.EPS

Figure 13 : Pin 15 (HOUT)



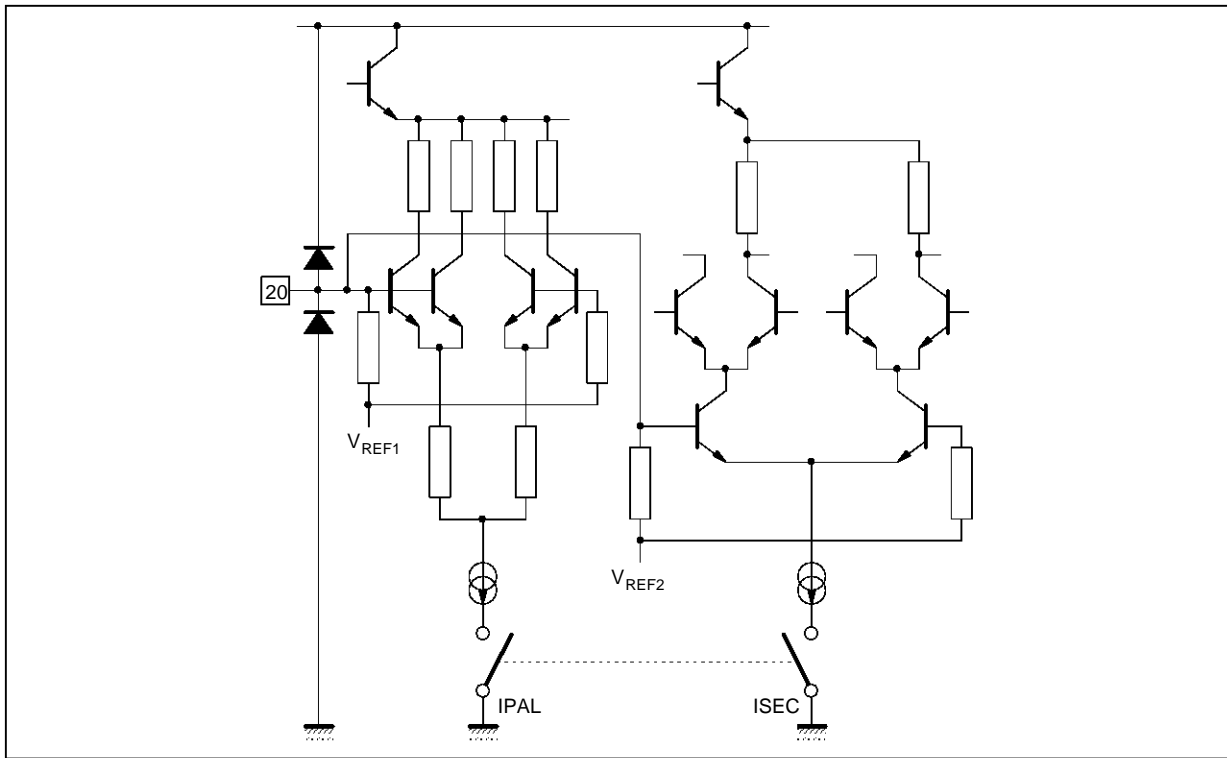
2110A-15.EPS

Figure 14 : Pins 16-27 (CTR, SAT)



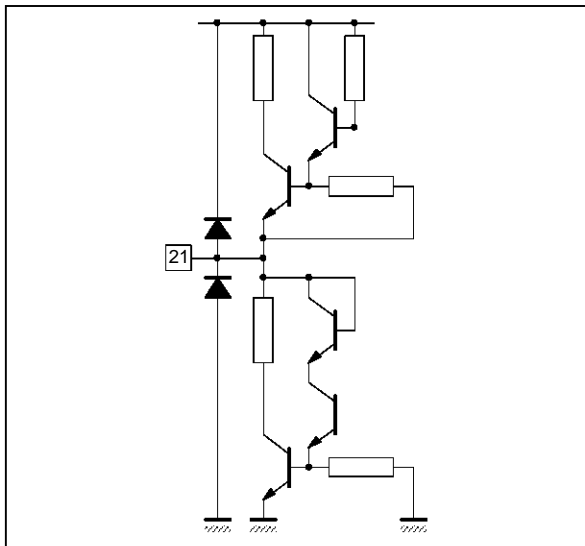
2110A-16.EPS

Figure 15 : Pin 20 (DLI)



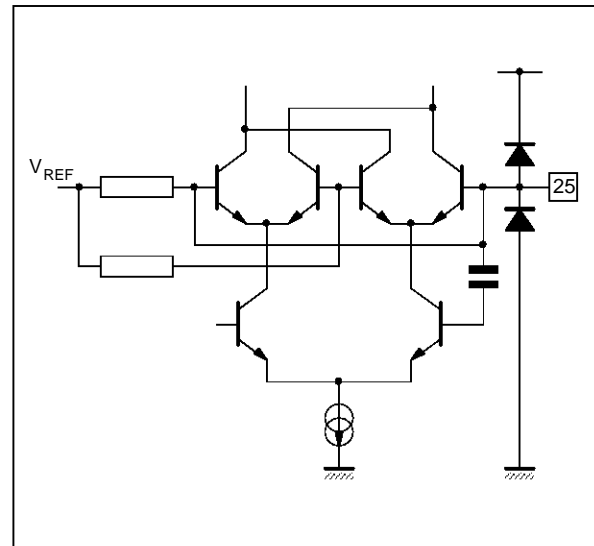
2110A-17.EPS

Figure 16 : Pin 21 (PS)



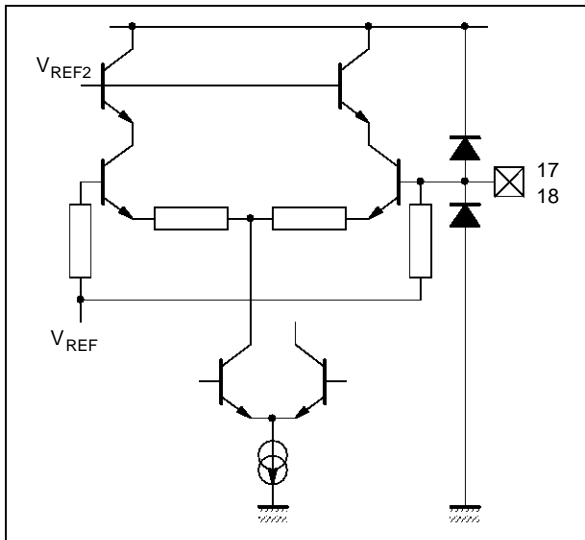
2110A-18.EPS

Figure 17 : Pin 25 (F432)



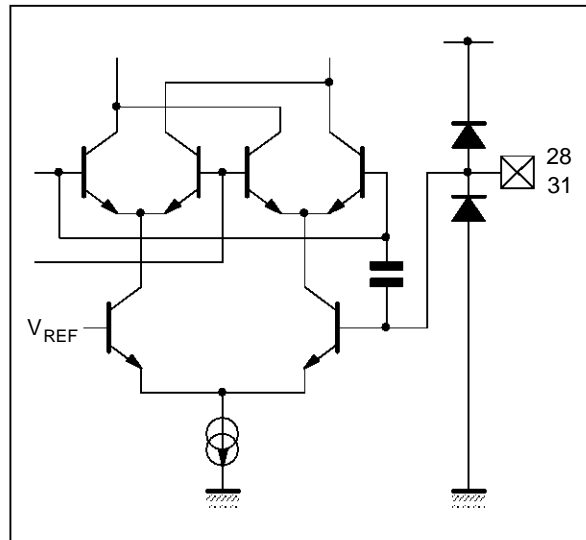
2110A-19.EPS

Figure 18 : Pins 17-18 (SECIN, PALIN)



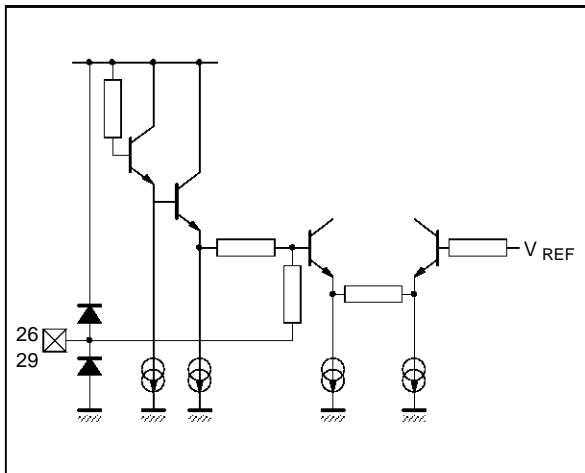
2110A-20.EPS

Figure 19 : Pins 28-31 (F440, F425)



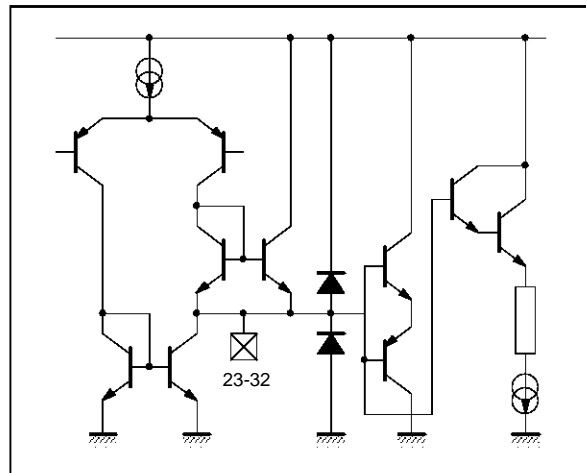
2110A-21.EPS

Figure 20 : Pins 26-29 (CDB, CDR)



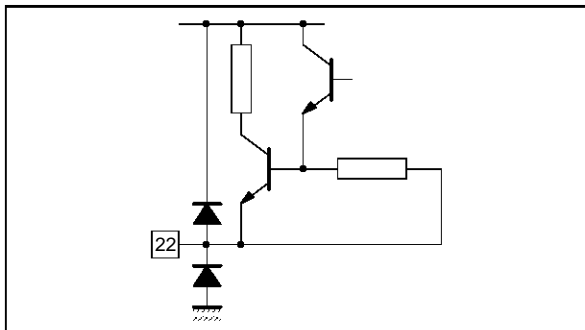
2110A-22.EPS

Figure 21 : Pins 23-32 (CKS, CKP)



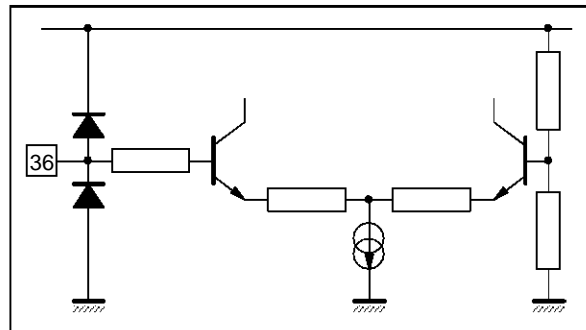
2110A-23.EPS

Figure 22 : Pin 22 (DLO)



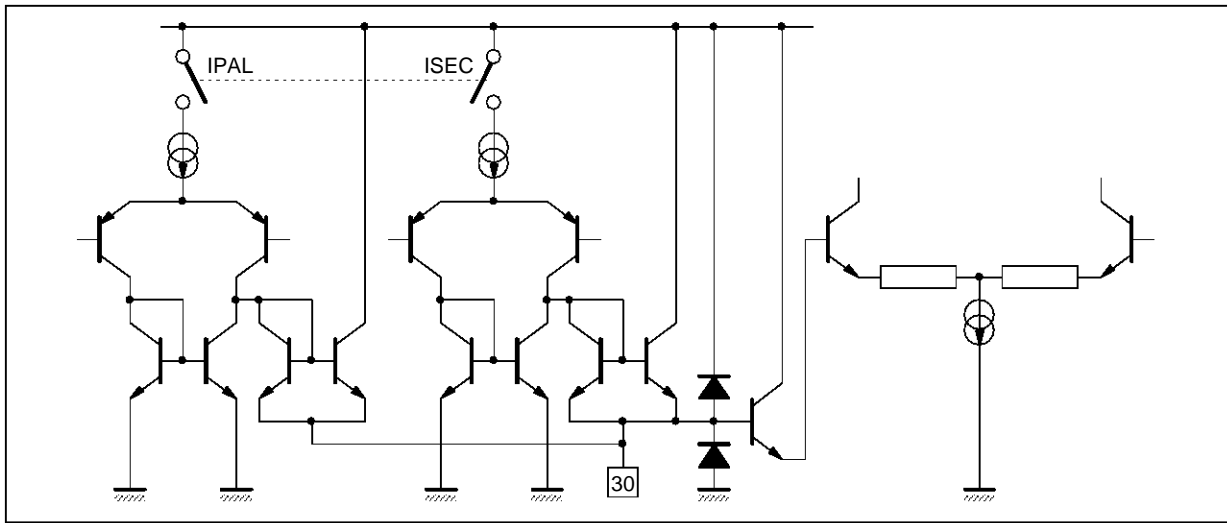
2110A-24.EPS

Figure 23 : Pin 36 (BRIG)



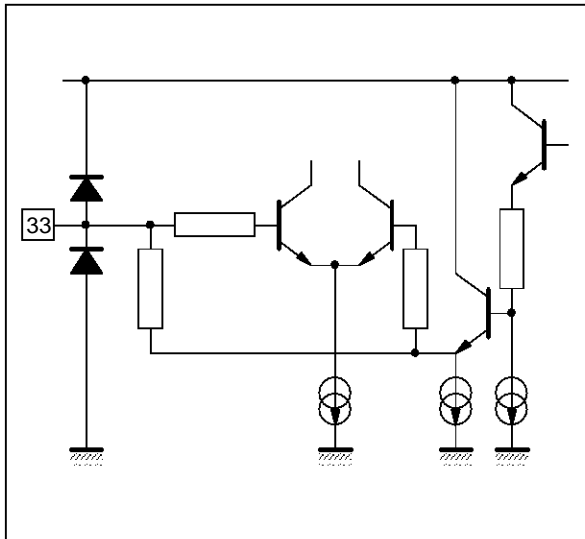
2110A-25.EPS

Figure 24 : Pin 30 (ACC)



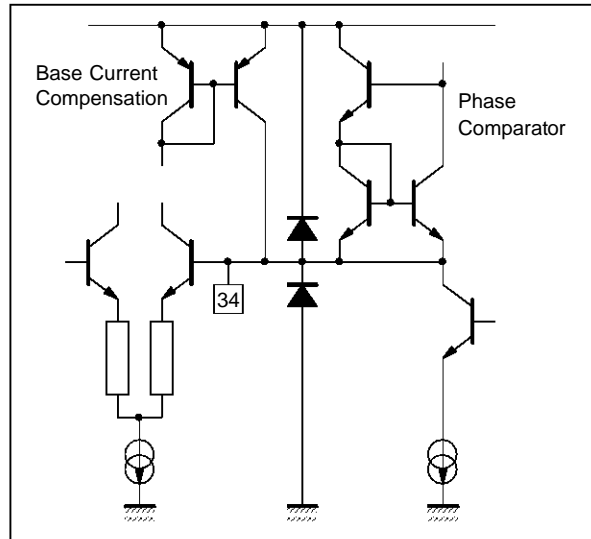
2110A-26.EPS

Figure 25 : Pin 33 (CXTL)



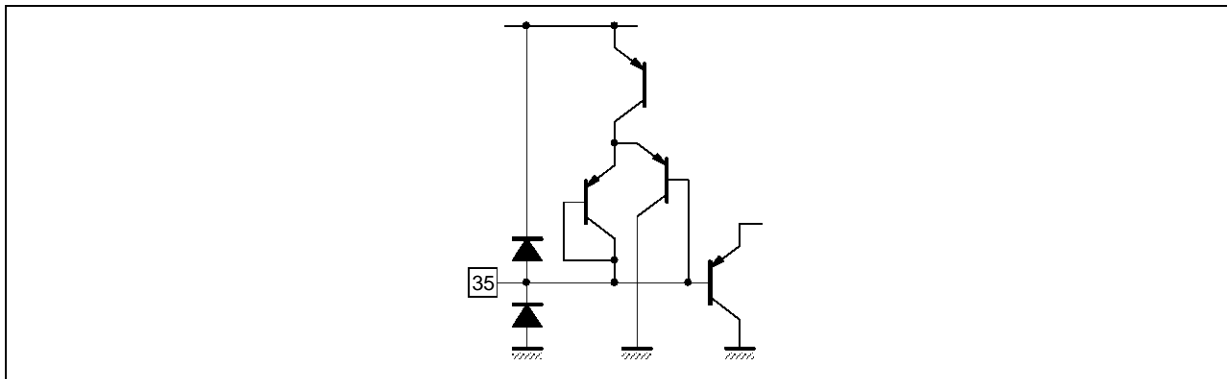
2110A-27.EPS

Figure 26 : Pin 34 (CLPF)



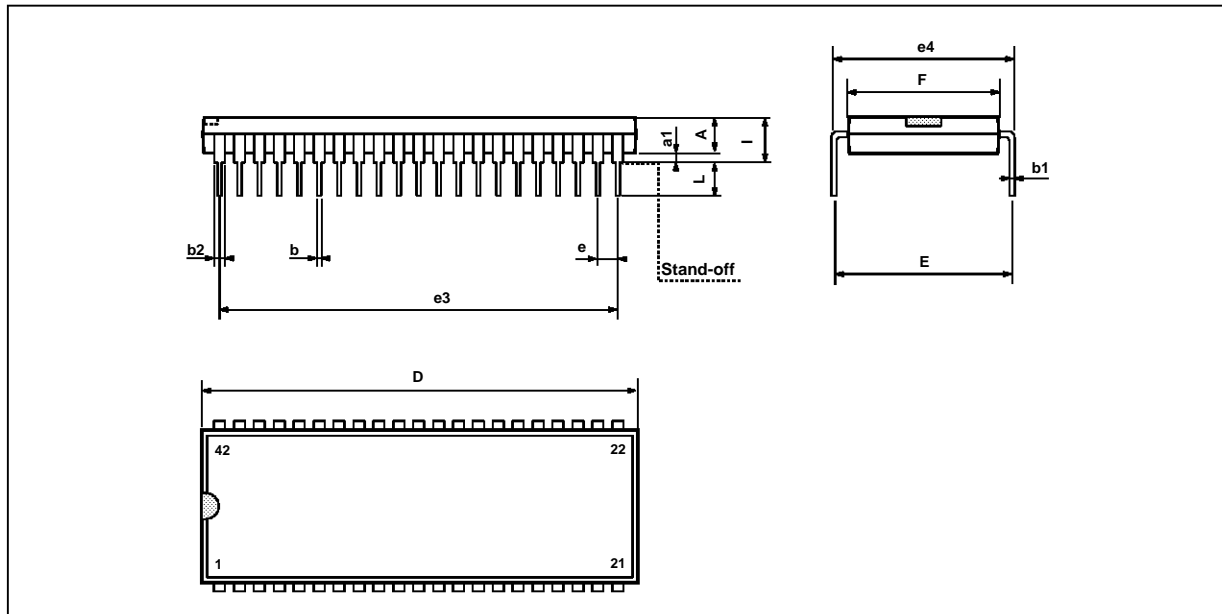
2110A-28.EPS

Figure 27 : Pin 35 (FBL)



2110A-29.EPS

PACKAGE MECHANICAL DATA
42 PINS - PLASTIC SHRINK DIP



PMSDIP42.EPS

Dimensions	Millimeters			Inches		
	Min.	Typ.	Max.	Min.	Typ.	Max.
A	3.30			0.130		
a1		0.51			0.020	
b		0.35	0.59		0.014	0.023
b1		0.20	0.36		0.008	0.014
b2		0.75	1.42		0.030	0.056
b3		0.75			0.030	
D			39.12			1.540
E		15.57	17.35		0.613	0.683
e	1.778			0.070		
e3	35.56			1.400		
e4	15.24			0.600		
F			14.48			0.570
i			5.08			0.200
L		2.54			0.100	

SDIP42.TBL

Information furnished is believed to be accurate and reliable. However, SGS-THOMSON Microelectronics assumes no responsibility for the consequences of use of such information nor for any infringement of patents or other rights of third parties which may result from its use. No licence is granted by implication or otherwise under any patent or patent rights of SGS-THOMSON Microelectronics. Specifications mentioned in this publication are subject to change without notice. This publication supersedes and replaces all information previously supplied. SGS-THOMSON Microelectronics products are not authorized for use as critical components in life support devices or systems without express written approval of SGS-THOMSON Microelectronics.

© 1994 SGS-THOMSON Microelectronics - All Rights Reserved

Purchase of I²C Components of SGS-THOMSON Microelectronics, conveys a license under the Philips I²C Patent. Rights to use these components in a I²C system, is granted provided that the system conforms to the I²C Standard Specifications as defined by Philips.

SGS-THOMSON Microelectronics GROUP OF COMPANIES

Australia - Brazil - China - France - Germany - Hong Kong - Italy - Japan - Korea - Malaysia - Malta - Morocco
The Netherlands - Singapore - Spain - Sweden - Switzerland - Taiwan - Thailand - United Kingdom - U.S.A.